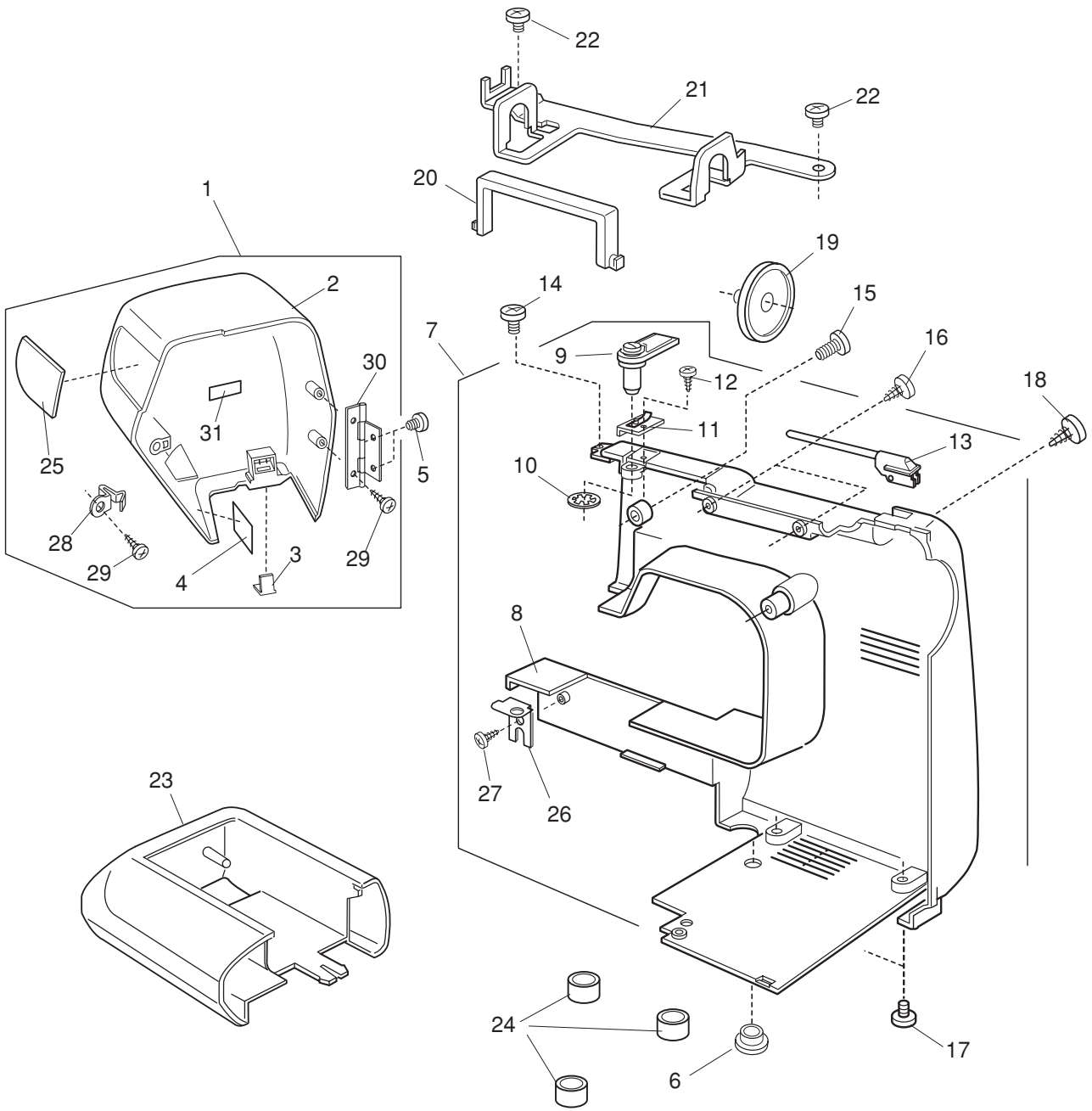


Parts List

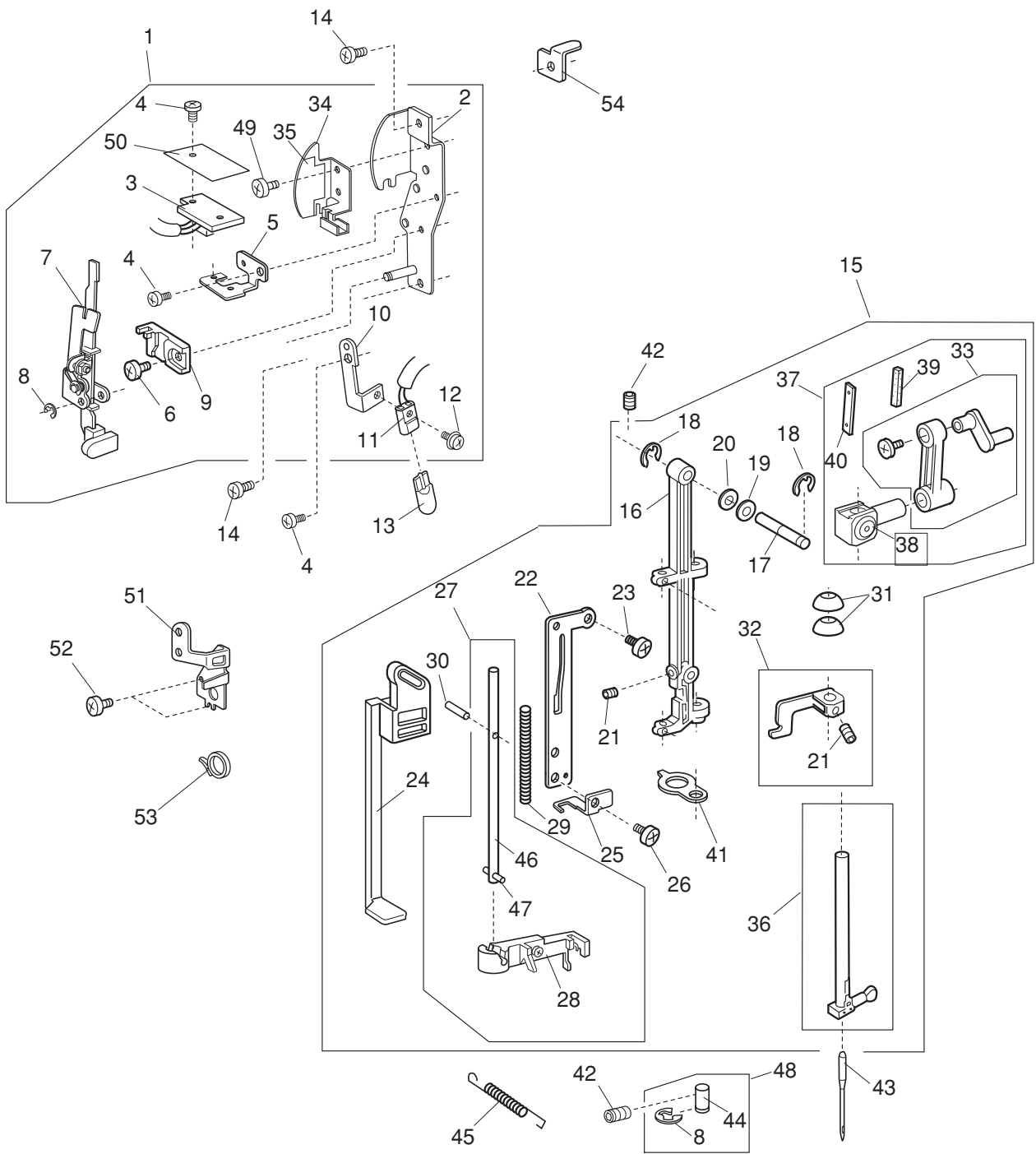
PARTS LIST



PARTS LIST

| NO. | PARTS NO. | DESCRIPTION |
|-----|-----------|------------------------------|
| 1 | 843653001 | Face cover unit (Europe) |
| | 843653609 | Face cover unit (U.S.A.) |
| 2 | 843128208 | Face cover |
| 3 | 840602006 | Thread cutter unit |
| 4 | 827099003 | Face cover reflection plate |
| 5 | 000077503 | Setscrew 4x6 |
| 6 | 653006101 | Cap |
| 7 | 843646001 | Rear cover unit |
| 8 | 843126103 | Rear cover |
| 9 | 650503702 | Upper thread guide unit |
| 10 | 000014409 | Snap ring CS-8 |
| 11 | 827503005 | Top cover thread guide unit |
| 12 | 000162001 | Tapping screw 2.6x5 (B) |
| 13 | 659067005 | Spool pin |
| 14 | 810220003 | Setscrew |
| 15 | 000104119 | Setscrew 4x20 |
| 16 | 000161309 | Tapping screw 3x12 (B) |
| 17 | 000103509 | Tapping 4x10 |
| 18 | 000119601 | Setscrew 4x25 (B) |
| 19 | 822020503 | Spool holder (large) |
| 20 | 751100000 | Carrying handle |
| 21 | 843005002 | Carrying handle fixing plate |
| 22 | 000081005 | Setscrew 4x8 |
| 23 | 843127001 | Extension table |
| 24 | 647009002 | Bed rubber cushion |
| 25 | 843129302 | Decoration plate |
| 26 | 827006003 | Rear cover fixing plate |
| 27 | 000120203 | Setscrew 3x8 (B) |
| 28 | 731067002 | Spring |
| 29 | 000161206 | Setscrew 3x10 (B) |
| 30 | 843545009 | Hinge unit |
| 31 | 830312016 | Sticker (U.S.A.) |

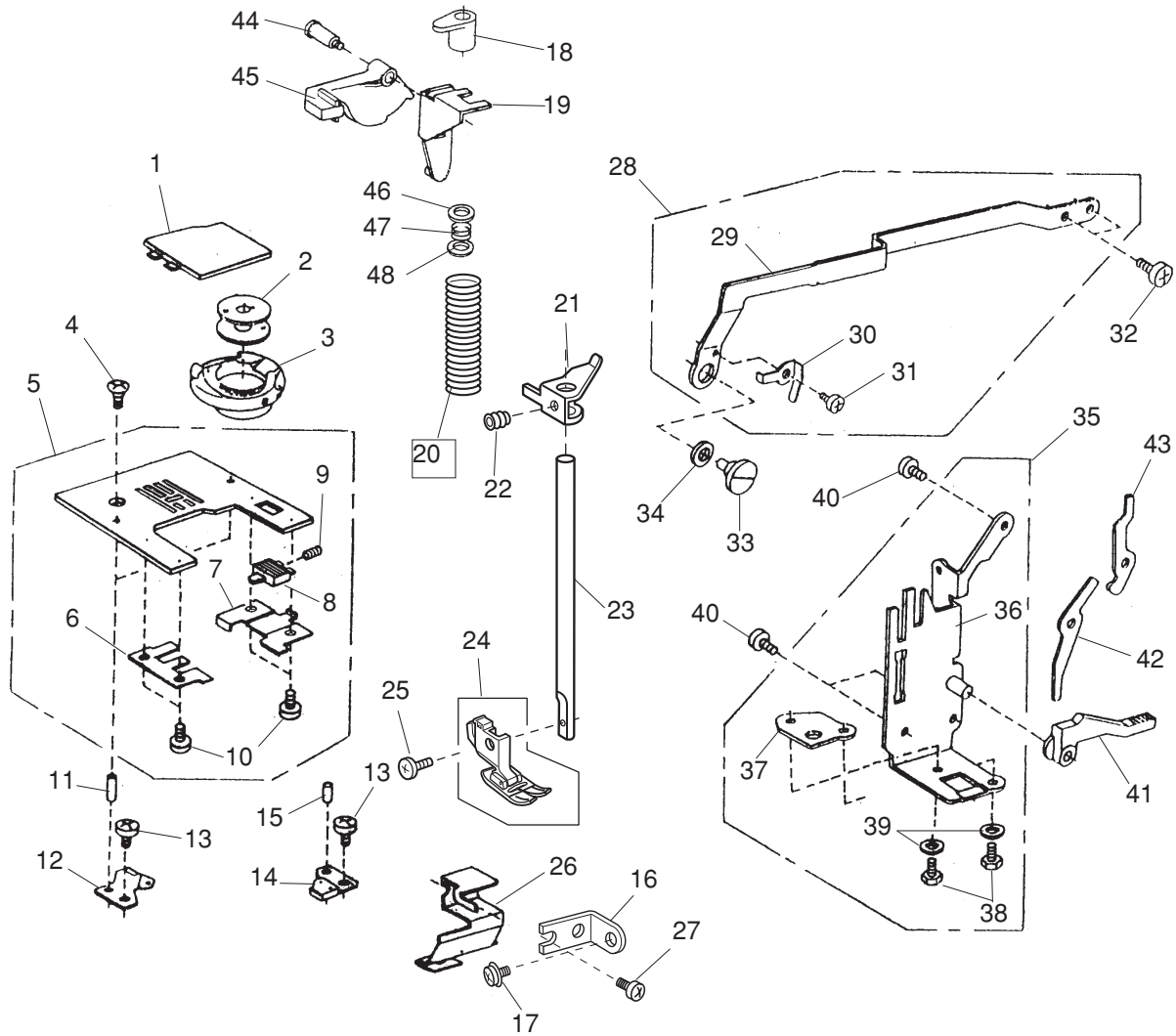
PARTS LIST



PARTS LIST

| NO. | PARTS NO. | DESCRIPTION |
|-----|-----------|--|
| 1 | 843623600 | Front bracket unit |
| 2 | 827028012 | Front bracket |
| 3 | 843502004 | E-1 board (printed circuit board) unit |
| 4 | 000101105 | Setscrew 3x4 |
| 5 | 844040013 | Sensor fixing plate |
| 6 | 000103808 | Setscrew 3x5 |
| 7 | 843625107 | Buttonhole lever unit |
| 8 | 000002105 | Snap ring E-3 |
| 9 | 830057010 | Buttonhole lever guide |
| 10 | 843055007 | Lamp fixing plate |
| 11 | 843508000 | Lamp socket unit |
| 12 | 000115308 | TP setscrew 2x8 |
| 13 | 000026002 | Wedge base lamp 12V 5 W |
| 14 | 000081005 | Setscrew 4x8 |
| 15 | 840647003 | Needle bar supporter unit |
| 16 | 827026010 | Needle bar supporter |
| 17 | 730022002 | Needle bar supporter pin |
| 18 | 000002507 | Snap ring E-4 |
| 19 | 000070609 | Washer 6 |
| 20 | 673022002 | Washer |
| 21 | 000111902 | Hexagonal socket screw 3x4 |
| 22 | 840033000 | Needle threader frame |
| 23 | 000101105 | Setscrew 3x4 |
| 24 | 840034001 | Needle threader lever |
| 25 | 840037004 | Needle threader lever guide |
| 26 | 000078319 | Setscrew 3x6 |
| 27 | 840646002 | Needle threader shaft unit |
| 28 | 755643002 | Needle threader cover unit |
| 29 | 840035002 | Threader spring |
| 30 | 000125105 | Pin |
| 31 | 827098002 | Washer |
| 32 | 807607008 | Threader position set plate unit |
| 33 | 834543007 | Needle bar crank pin unit |
| 34 | 827029013 | Cord guide plate |
| 35 | 829016002 | Sticker |
| 36 | 653503103 | Needlr bar unit |
| 37 | 653652000 | Needle bar connecting stud unit |
| 38 | 653516002 | Needle bar connecting stud unit |
| 39 | 650040005 | Felt |
| 40 | 650041006 | Spring |
| 41 | 829027006 | Needle bar supporter guide plate |
| 42 | 000111201 | Hexagonal socket screw 4x4 |
| 43 | 102408089 | Needle HA1-14 |
| 44 | 827083004 | Supporter guide pin |
| 45 | 827092006 | Spring |
| 46 | 840036003 | Needle threader shaft |
| 47 | 000003508 | Spring pin 2x8 |
| 48 | 842625001 | Supporter guide pin unit |
| 49 | 652203004 | Setscrew 3x3.5 |
| 50 | 845029008 | E-1 board insulation paper |
| 51 | 843038004 | Lamp set plate |
| 52 | 000101507 | Setscrew 3.5x3 |
| 53 | 000053008 | Cord binder |
| 54 | 827106004 | Set plate |

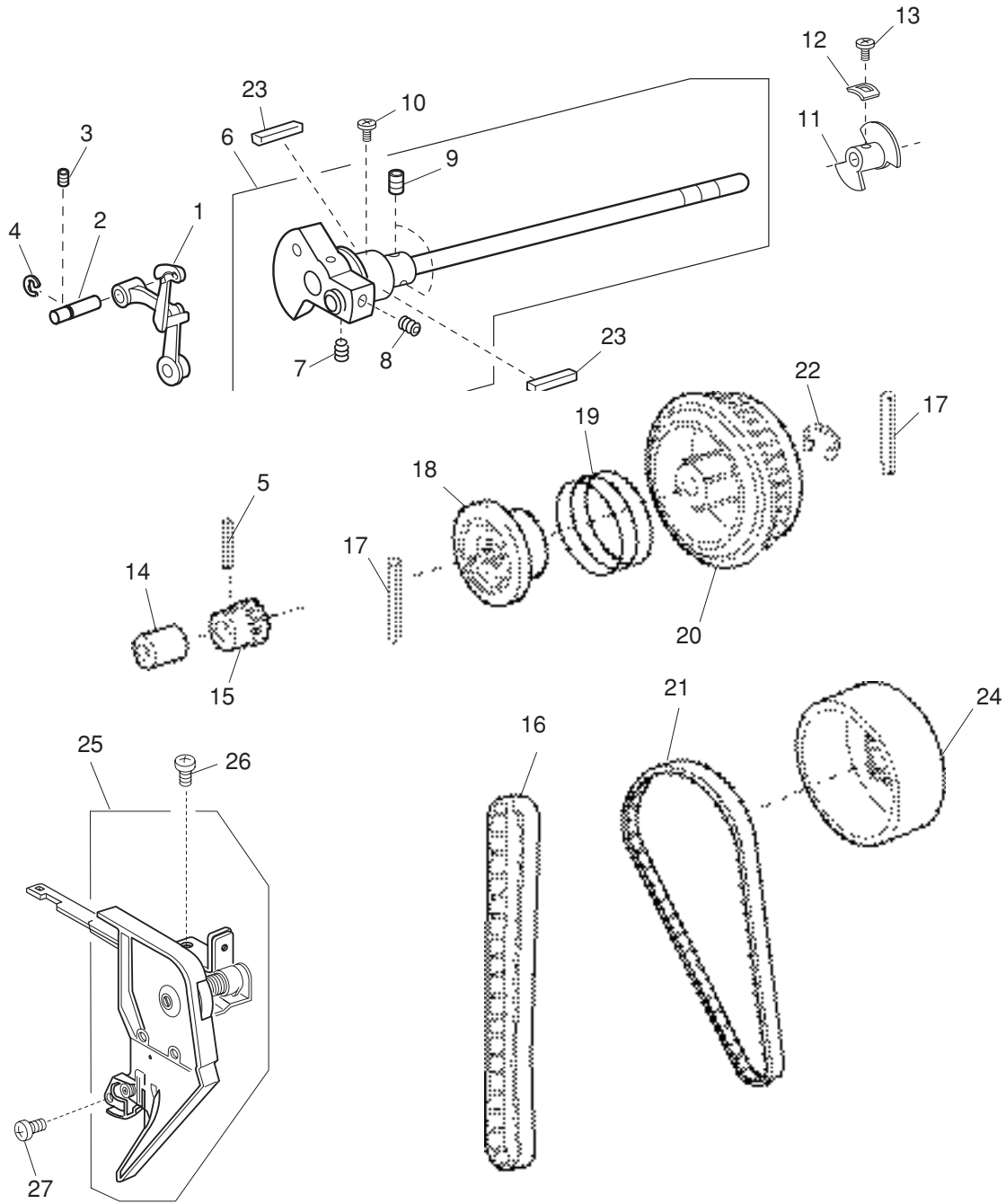
PARTS LIST



PARTS LIST

| NO. | PARTS NO. | DESCRIPTION |
|-----|-----------|-------------------------------------|
| 1 | 750036012 | Hook cover plate |
| 2 | 102261000 | Bobbin |
| 3 | 627569106 | Bobbin holder unit |
| 4 | 681009101 | Needle plate setscrew |
| 5 | 756604107 | Needle plate unit |
| 6 | 752005007 | Hook cover holder (left) |
| 7 | 825015010 | Hook cover holder (right) |
| 8 | 825016000 | Hook cover plate release button |
| 9 | 825017001 | Spring |
| 10 | 820374004 | Tapping screw 2x2.3 |
| 11 | 000122504 | Needle plate position adjusting pin |
| 12 | 827011001 | Needle plate nut holder |
| 13 | 810220003 | Setscrew |
| 14 | 627567001 | Bobbin holder stopper unit |
| 15 | 000122700 | Pin |
| 16 | 827037003 | Front cover fixing plate |
| 17 | 000115205 | Setscrew 4x6 |
| 18 | 652104004 | Presser bar bushing |
| 19 | 829014000 | Foot regulating plate |
| 20 | 502232004 | Presser bar spring |
| 21 | 735028003 | Presser bar supporter |
| 22 | 000111500 | Hexagonal socket screw 4x8 |
| 23 | 827021004 | Presser bar |
| 24 | 660509008 | Presser foot unit |
| 25 | 660106001 | Setscrew |
| 26 | 827036002 | Arm thread guide |
| 27 | 000081005 | Setscrew 4x8 |
| 28 | 827622012 | Zigzag width rod unit |
| 29 | 827055018 | Zigzag width rod |
| 30 | 827088009 | Zigzag width rod spring |
| 31 | 820373003 | Setscrew 2x3 |
| 32 | 000078319 | Setscrew 3x6 |
| 33 | 678084007 | Eccentric pin |
| 34 | 653037008 | Washer |
| 35 | 827608012 | Presser base plate unit |
| 36 | 827020014 | Front base |
| 37 | 827082003 | Presser foot positioning plate |
| 38 | 000066303 | Bolt 4x6 |
| 39 | 000070908 | Washer |
| 40 | 000081005 | Setscrew 4x8 |
| 41 | 735029200 | Presser bar lifter |
| 42 | 827022005 | Tension release lever (1) |
| 43 | 827023006 | Tension release lever (2) |
| 44 | 820090003 | Hinge screw |
| 45 | 829013009 | Foot adjusting lever |
| 46 | 652201002 | Washer |
| 47 | 826056005 | Spring |
| 48 | 826055004 | Washer |

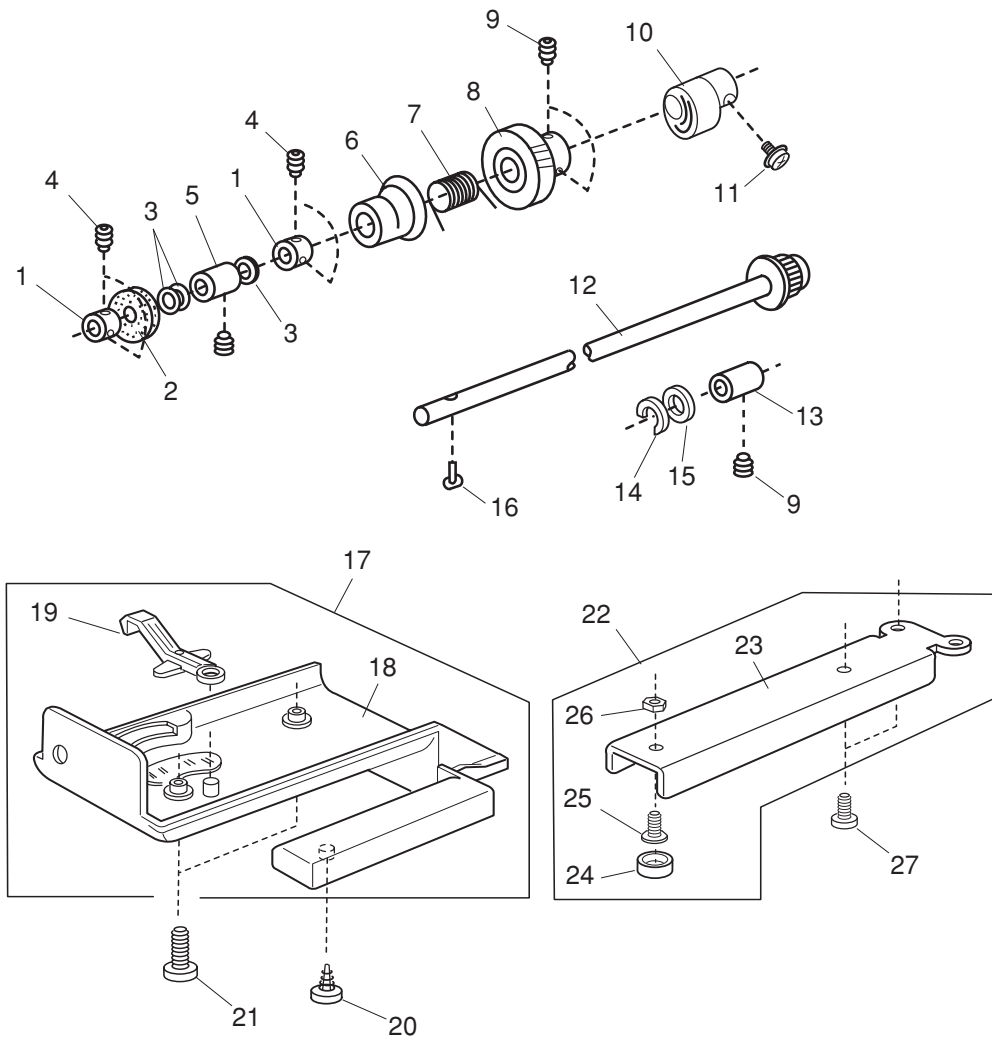
PARTS LIST



PARTS LIST

| NO. | PARTS NO. | DESCRIPTION |
|-----|-----------|----------------------------|
| 1 | 820511108 | Thread take-up lever unit |
| 2 | 650062003 | Thread take-up pin |
| 3 | 000111201 | Hexagonal socket screw 4x4 |
| 4 | 000002806 | Snap ring E-6 |
| 5 | 000020501 | Spring pin 3x22 |
| 6 | 843643101 | Upper shaft unit |
| 7 | 000111706 | Hexagonal socket screw 5x8 |
| 8 | 000110901 | Hexagonal socket screw 5x4 |
| 9 | 000111304 | Hexagonal socket screw 5x5 |
| 10 | 000172602 | Setscrew 5x8 |
| 11 | 830095010 | Upper shaft shield plate |
| 12 | 820102009 | Washer |
| 13 | 000081005 | Setscrew 4x8 |
| 14 | 673062004 | Upper shaft rear metal |
| 15 | 756017004 | Upper shaft timing gear |
| 16 | 650071005 | Timing belt |
| 17 | 000024206 | Spring pin 3x30 |
| 18 | 502064003 | Clutch ring |
| 19 | 502065004 | Clutch spring |
| 20 | 844050016 | Belt wheel |
| 21 | 653139012 | Timing belt |
| 22 | 000030205 | Snap ring E-8 |
| 23 | 731384008 | Felt |
| 24 | 844077008 | Handwheel |
| 25 | 843538009 | Thread tension unit |
| 26 | 000101404 | Setscrew 4x6 |
| 27 | 000101703 | Setscrew 4x12 |

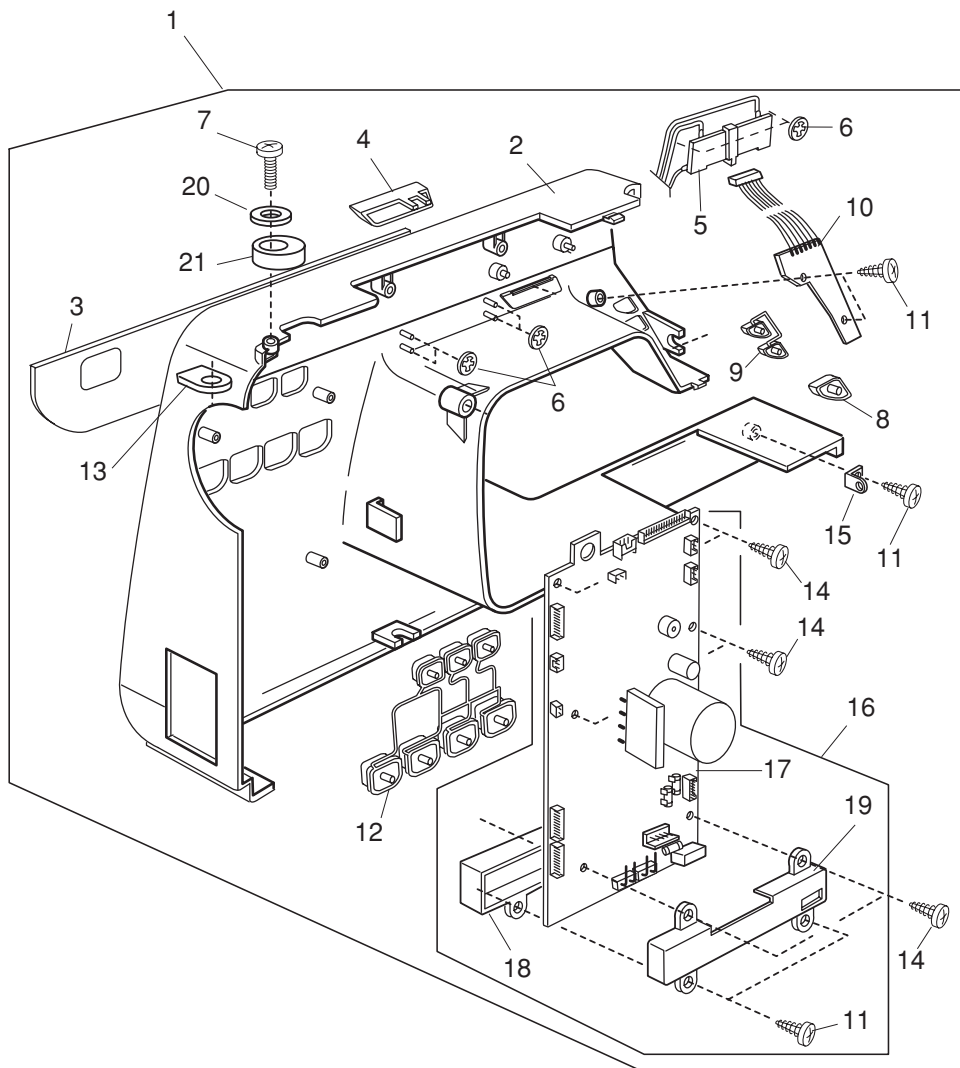
PARTS LIST



PARTS LIST

| NO. | PARTS NO. | DESCRIPTION |
|-----|-----------|-----------------------------|
| 1 | 820166001 | Lower shaft ring |
| 2 | 735143005 | Felt |
| 3 | 000038502 | Washer 8x0.5 |
| 4 | 000111201 | Hexagonal socket screw 4x4 |
| 5 | 650078002 | Lower shaft bushing (front) |
| 6 | 753183025 | Feed lifting cam |
| 7 | 686035008 | Feed lifting cam spring |
| 8 | 650955002 | Lower shaft timing gear |
| 9 | 000111304 | Hexagonal socket screw 5x5 |
| 10 | 751148000 | Feed cam |
| 11 | 000115009 | TP setscrew 3x8 |
| 12 | 751612206 | Lower shaft unit |
| 13 | 650079003 | Lower shaft bushing (rear) |
| 14 | 822112008 | Felt holder (1) |
| 15 | 822070003 | Felt (1) |
| 16 | 820161006 | Pin |
| 17 | 843601004 | Bed cover unit |
| 18 | 843001008 | Bed cover |
| 19 | 753005000 | Drop feed lever |
| 20 | 000120203 | Tapping screw 3x8 (B) |
| 21 | 000101703 | Setscrew 4x12 |
| 22 | 827601107 | Arm leg unit |
| 23 | 827002102 | Arm leg |
| 24 | 735002001 | Rubber cushion |
| 25 | 000097901 | Setscrew 5x18 |
| 26 | 000061412 | Nut |
| 27 | 000066808 | Setscrew 6x14 |

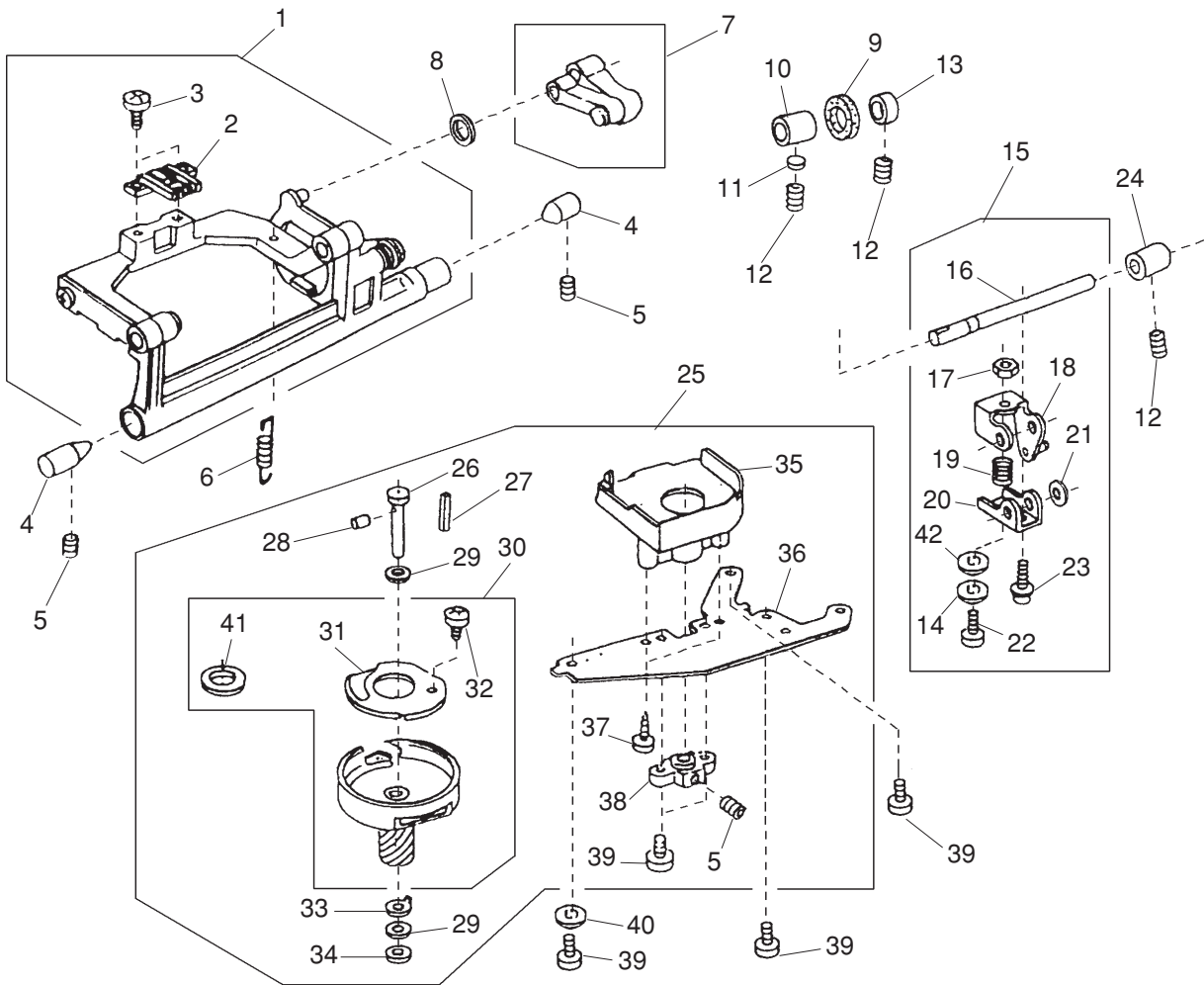
PARTS LIST



PARTS LIST

| NO. | PARTS NO. | DESCRIPTION |
|-----|-----------|--------------------------------------|
| 1 | 843648508 | Front cover unit |
| 2 | 843132102 | Front cover |
| 3 | 843137303 | Pattern indication window |
| 4 | 843133000 | Slide knob |
| 5 | 653507082 | Slide volume unit |
| 6 | 000014306 | Snap ring CS-3 |
| 7 | 000103107 | Setscrew 4x14 |
| 8 | 843134104 | Button |
| 9 | 843135105 | Button |
| 10 | 849507100 | F-board (printed circuit board) |
| 11 | 000120203 | Tapping screw 3x8 (B) |
| 12 | 843136106 | Indication changing button |
| 13 | 843014004 | Nut |
| 14 | 000161206 | Tapping screw 3x10 (B) |
| 15 | 827069004 | Front cover fixing plate (bottom) |
| 16 | 843610408 | A-board (printed circuit board unit) |
| 17 | 843527201 | A-board (printed circuit board) |
| 18 | 843020106 | Case lid for A-board |
| 19 | 843021107 | Casw for A-board |
| 20 | 000071013 | Washer |
| 21 | 735016307 | Bobbin winder stopper |

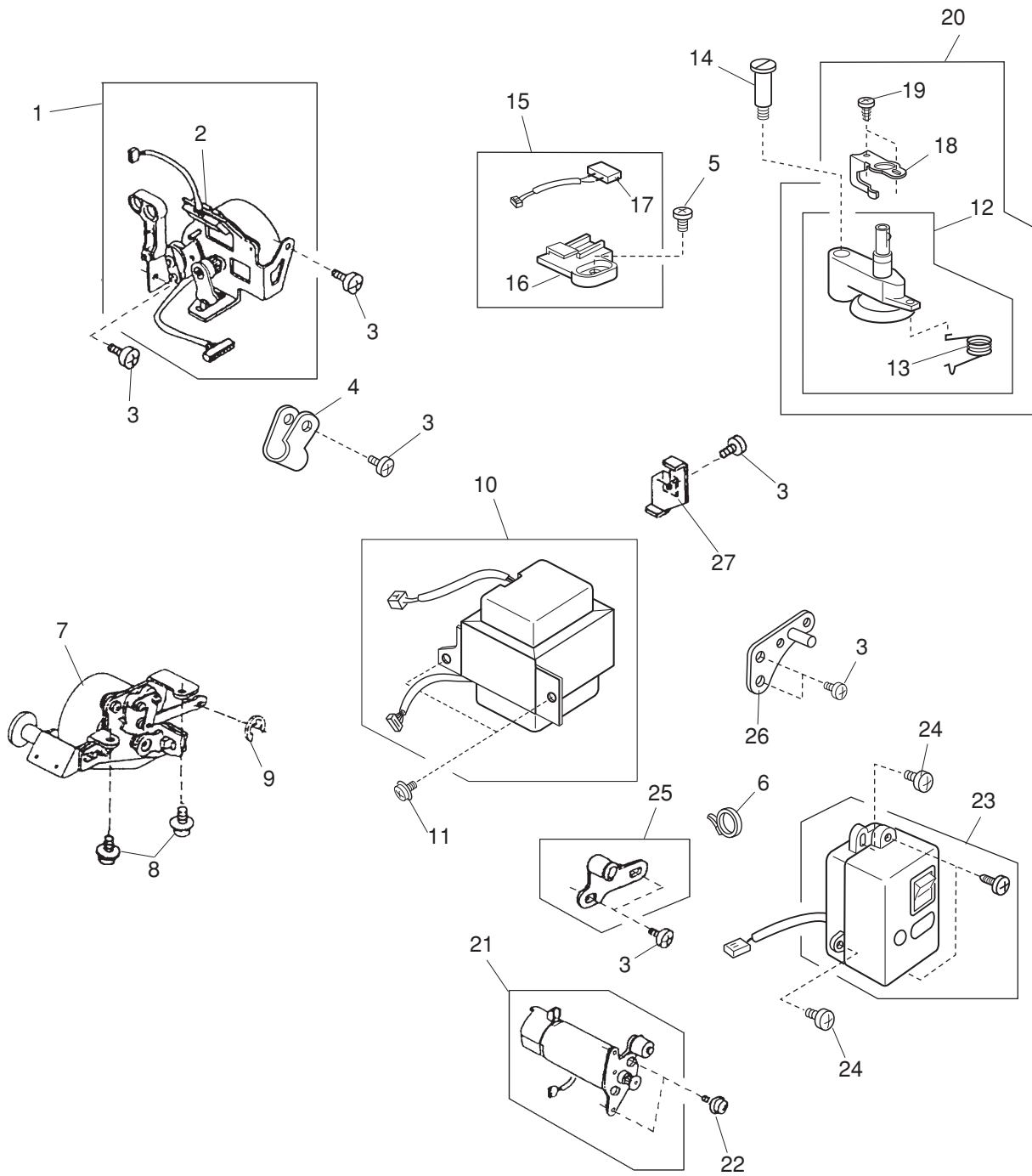
PARTS LIST



PARTS LIST

| NO. | PARTS NO. | DESCRIPTION |
|-----|-----------|----------------------------------|
| 1 | 834527100 | Feed lock shaft unit |
| 2 | 840005003 | Feed dog |
| 3 | 000104005 | Setscrew 3.5x8 |
| 4 | 738055008 | Screw center |
| 5 | 000111304 | Hexagonal socket screw 5x5 |
| 6 | 650085002 | Spring |
| 7 | 650612004 | Feed regulator unit |
| 8 | 000036603 | Thrust washer FT 50x0.5 |
| 9 | 823110009 | Felt |
| 10 | 625144002 | Bushing (front) |
| 11 | 650175000 | Washer |
| 12 | 000111201 | Hexagonal socket screw 4x4 |
| 13 | 820387000 | Ring |
| 14 | 000036407 | Thrust washer FT 50 |
| 15 | 840603007 | Feed shaft unit |
| 16 | 840006004 | Feed shaft |
| 17 | 000160102 | Adjustable nut 4 |
| 18 | 825261002 | Feed shaft arm (2) |
| 19 | 589040002 | Buttonhole feed adjusting spring |
| 20 | 827043105 | Feed shaft arm (1) |
| 21 | 810207004 | Spring washer |
| 22 | 827086007 | Feed arm screw |
| 23 | 000115906 | Setscrew TP 3x12 |
| 24 | 650092002 | Bushing (rear) |
| 25 | 827614033 | Hook unit |
| 26 | 820123006 | Hook driver shaft |
| 27 | 820124007 | Hook shaft oil felt (1) |
| 28 | 820125008 | Hook shaft oil felt (2) |
| 29 | 000038409 | Washer 6x0.5 |
| 30 | 650623008 | Shuttle body unit |
| 31 | 627191000 | Hook race bottom plate |
| 32 | 820374004 | Setscrew 2x2.3 |
| 33 | 627192001 | Washer |
| 34 | 625102008 | Plain washer |
| 35 | 827040009 | Hook gear cover |
| 36 | 823106002 | Hook base plate |
| 37 | 000107204 | Setscrew 3x12 (B) |
| 38 | 650094004 | Hook shaft base |
| 39 | 000081005 | Setscrew 4x8 |
| 40 | 000070506 | Plain washer 4 |
| 41 | 627190010 | Magnet |
| 42 | 000071013 | Plain washer |

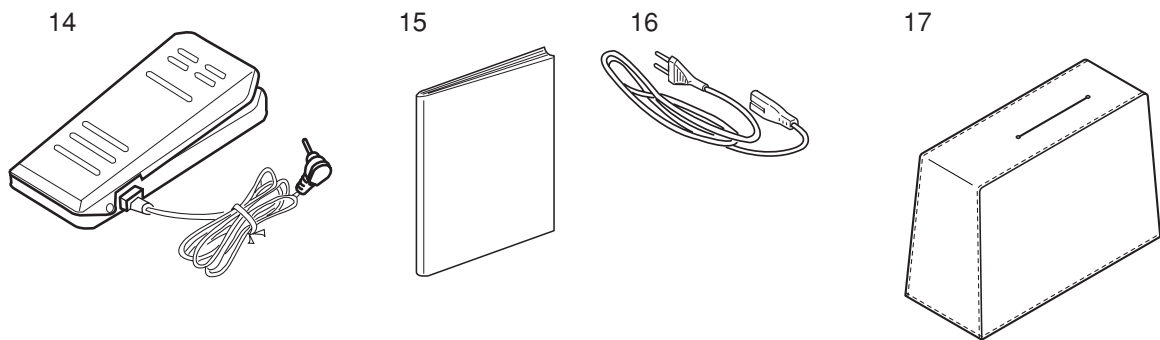
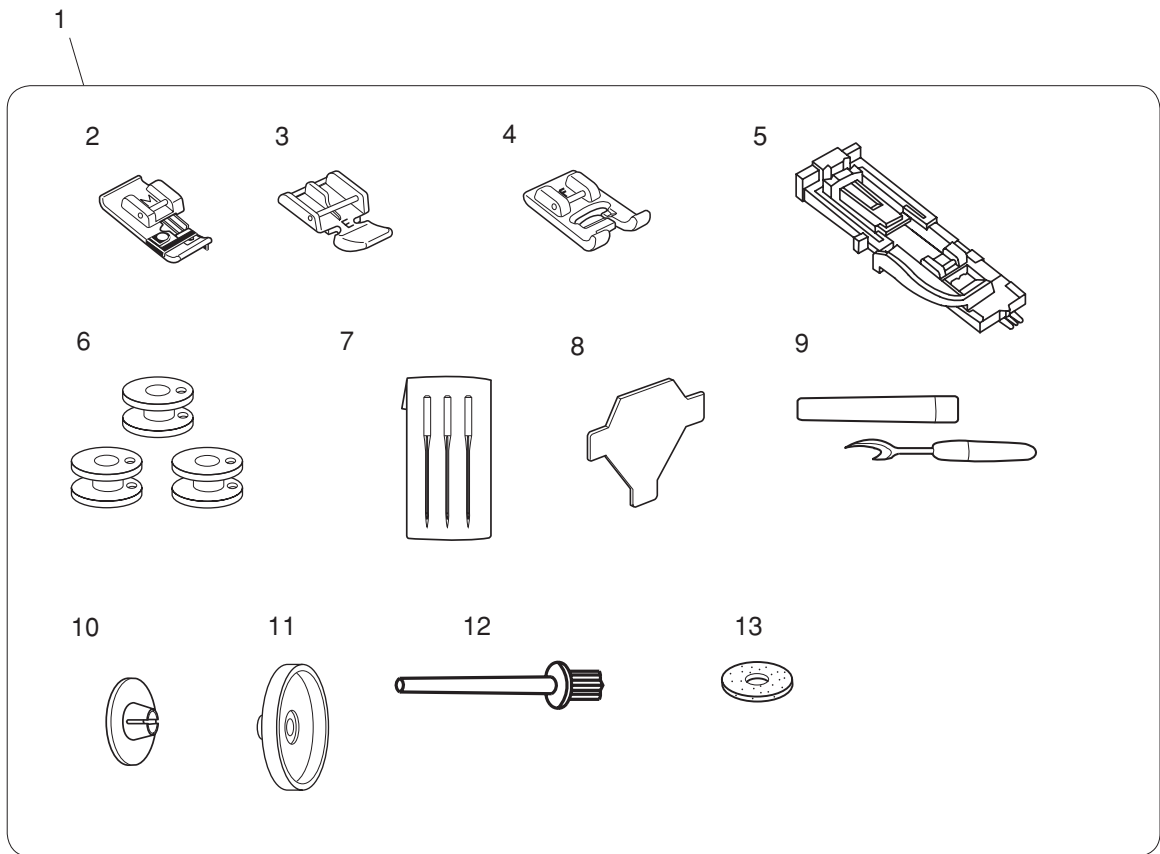
PARTS LIST



PARTS LIST

| NO. | PARTS NO. | DESCRIPTION |
|-----|-----------|---------------------------------|
| 1 | 843608001 | Zigzag width motor unit |
| 2 | 843505007 | P-board (printed circuit board) |
| 3 | 000081005 | Setscrew 4x8 |
| 4 | 000188209 | Nylon clip |
| 5 | 000101404 | Setscrew 4x6 |
| 6 | 000053008 | Cord binder |
| 7 | 843606102 | Stitch length motor unit |
| 8 | 000115205 | TP setscrew 4x6 |
| 9 | 000002105 | Snap ring E -3 |
| 10 | 843516001 | Power transformer unit (Europe) |
| | 843512007 | Power transformer unit (U.S.A.) |
| 11 | 000115205 | TP setscrew 4x6 |
| 12 | 827506008 | Bobbin winder unit |
| 13 | 823119008 | Bobbin winder arm spring |
| 14 | 652093009 | Hinge screw |
| 15 | 843628007 | Switch base plate unit |
| 16 | 843067002 | Switch base plate |
| 17 | 753507203 | Buttonhole selector switch unit |
| 18 | 844075039 | Clutch releasing arm |
| 19 | 000120203 | Setscrew 3x8 (B) |
| 20 | 844628033 | Bobbin winder (unit) |
| 21 | 843615001 | Motor unit |
| 22 | 000115700 | TP setscrew 4x10 |
| 23 | 843519004 | Machine socket unit (Europe) |
| | 841514405 | Machine socket unit (U.S.A.) |
| 24 | 000103509 | Setscrew 4x10 |
| 25 | 652611009 | Idler unit |
| 26 | 843034000 | Base plate |
| 27 | 827075003 | Transformer supporter (230V) |

PARTS LIST



PARTS LIST

| NO. | PARTS NO. | DESCRIPTION |
|-----|-----------|-------------------------------|
| 1 | 843870246 | Accessory set |
| 2 | 822808008 | Overcast foot (M) |
| 3 | 829801002 | Zipper foot (E) |
| 4 | 822804118 | Satin stitch foot (F) |
| 5 | 753801004 | Automatic buttonhole foot (R) |
| 6 | 102261000 | Bobbin |
| 7 | 639804000 | Needle set |
| 8 | 653802002 | Screwdriver |
| 9 | 647808009 | Seamripper |
| 10 | 822019509 | Small spool holder |
| 11 | 829803004 | Spool stand |
| 12 | 625031500 | Additional spool pin |
| 13 | 102403109 | Felt |
| 14 | 033570318 | Foot control |
| 15 | 843801039 | Instruction book (E) |
| | 843801095 | Instruction book (E/F/GE) |
| 16 | 830335004 | Power supply cord (230V) |
| | 653524007 | Power supply cord (120V) |
| 17 | 741811000 | Soft cover |